

Surgitron® III -49 Series Type 2

**MEDIUM DUTY FOR RESIDENTIAL
OR INDUSTRIAL APPLICATIONS**

FEATURES AND BENEFITS

- Listed to UL 1449 3rd Edition for a Type 2 SPD application.
- Individual fusing for each Metal Oxide Varistors (MOVs).
- LED indicates proper function of individual MOVs

PRODUCT SPECIFICATIONS

Electrical

Nominal Discharge Current Rating (I-n)	20kA
Operating Frequency	47–63Hz
Connection Methods	Parallel to Load (shunt) #14 AWG wires
Modes of Protection	1261-49 L-N, L-G, N-G 1265-49-CF L-N, L-G, N-G, L-L 1451-49 L-L, L-G 1452-49 L-N, H-N, L-G, H-G, N-G, L-L, H-L 1456-49 L-N, L-G, N-G, L-L 1457-49 L-N, L-G, N-G, L-L
Fault Rating (SCCR)	100kAIC
Response Time	Less than 1 nanosecond (one per phase)
Standard Monitoring	LED status indicator lights

Mechanical

Weight	2 lbs. (.9 kg)
Enclosure Type	NEMA 1, Non-metallic
Installation Location	Indoor
Mounting Method	1/2" – 14 NPS Thread (Aluminum Bracket Optional)
Operating Environment	-40° to +176°F (-40° to +80°C)
Altitude	Up to 16,400 ft. (5000 m)
Product Design	Individually fused MOVs

Regulatory

UL 1449 3rd Edition Type	Type 2
UL 1283	Only for Model Number 1265-49-CF
IEEE C62.41.1, .2, C62.45	Yes
Listed By	UL



AVAILABLE CONFIGURATIONS

Model Number	kA Per Phase	Voltage	Configuration
49 Series			
1261-49	40kA	240V	1-Phase, 2-Wire + Ground
1451-49	40kA	480V	3-Phase Delta, 3-Wire + Ground
1452-49	40kA	120/240V	3-Phase High-Leg Delta, 4-Wire + Ground
1456-49	40kA	277/480V	3-Phase, 4-Wire + Ground
1457-49	40kA	230-400V	3-Phase, 4-Wire + Ground

49-CF Series (Contains UL 1283 listed filter)

1265-49-CF*	80kA	120/240V	2-Phase, 3 Wire + Ground
-------------	------	----------	--------------------------

*Dry Relay contacts not available.

Warranty

3-years

Options (Not available on 1265-49-CF unit)

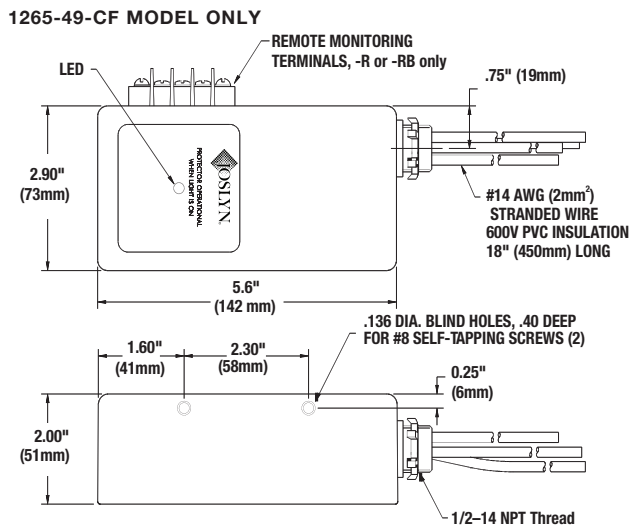
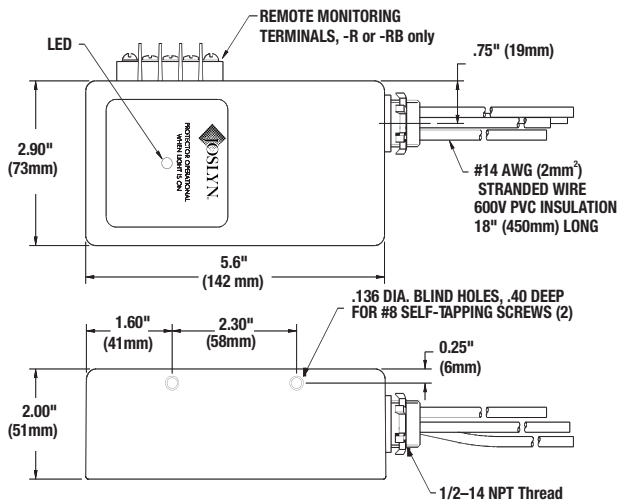
1 Set of Dry Relay Contacts (All Models)	Add suffix -R
1 Set of Dry Relay Contacts + Mounting Bracket	
xx-RB Option only Available on 1261 and 1457 models	Add suffix -RB

SURGE PROTECTIVE DEVICES

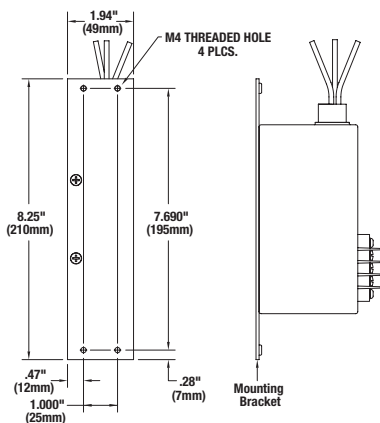
SURGITRON III PERFORMANCE DATA

Model Number	Voltage Configuration	Protection Modes	MCOV	UL 1449 3rd Edition 6kV 3000A VPR
1261-49	240	L-N	320	1000
		L-G	640	2000
		N-G	320	1000
1265-49-CF	120/240	L-N	150	600
		L-G	150	800
		N-G	150	800
		L-L	276	1000
1451-49	480	L-L	600	2000
		L-G	600	2000
1452-49	120/240HL	L-N	150	800
		H-N	320	1000
		L-G	470	1500
		H-G	640	2000
		N-G	320	1000
		L-L	300	1000
		H-L	470	1500
1456-49	277/480	L-N	320	1000
		L-G	600	2000
		N-G	320	1000
		L-L	600	2000
1457-49	220/380	L-N	320	1000
		L-G	600	2000
		N-G	320	1000
		L-L	600	2000

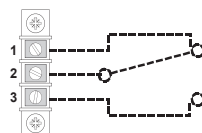
DIMENSIONAL SPECIFICATIONS



-RB MODEL ONLY



Alarm Relay Contacts Shown with Power On





Energía Verde RMS

Ahorra y contribuye con tu ambiente [®]

General Miguel Barragán #814
Aguascalientes, Ags.
01 (449) 145 2028
energiaverderms.com.mx